

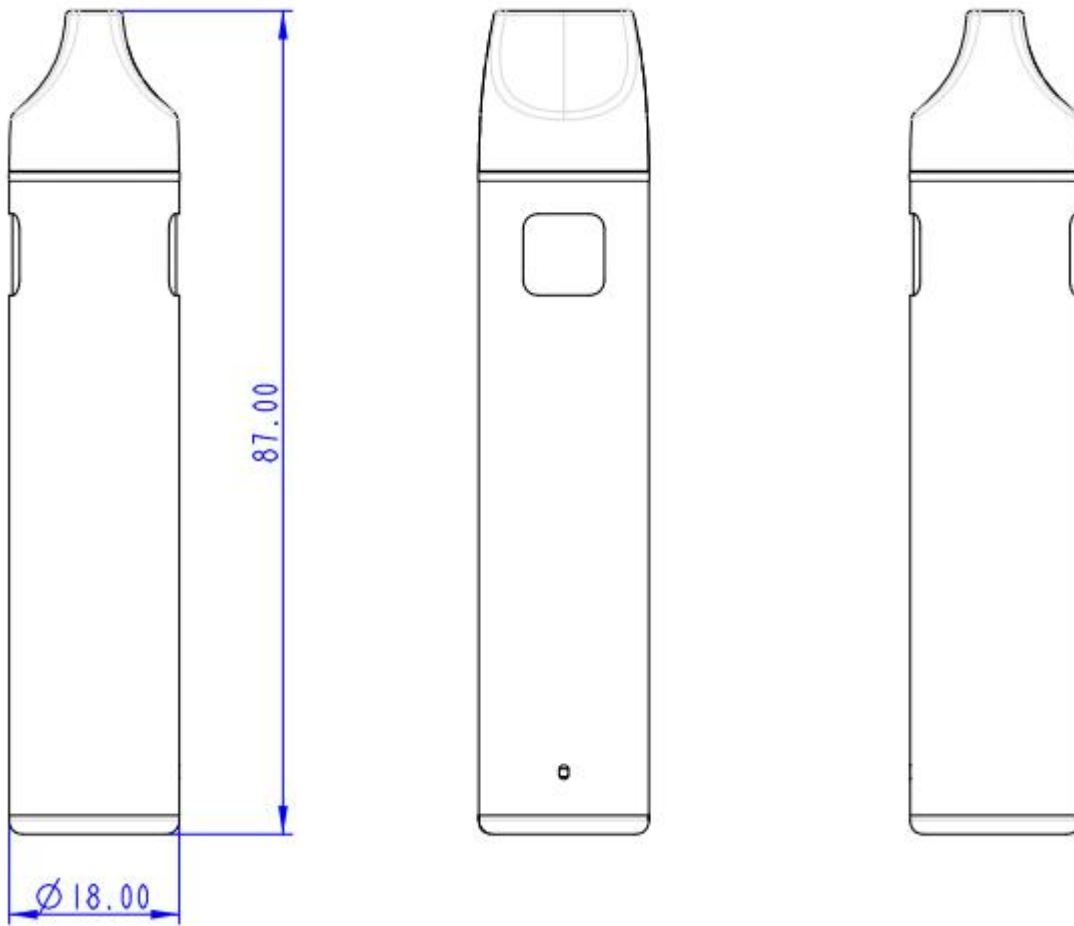


Vyron

1.0ml / 2.0ml Post-free AIO

Original plant flavor with massive-vapor production Easy filling and easy cap No cotton. No glue, V-shape tank, no oil waste, Dual air channel for a clog-free experience Battery level indicator

Dimension



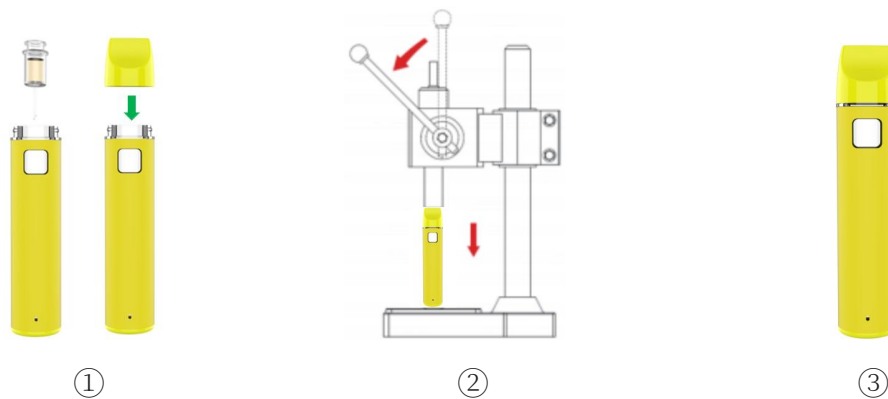
Features

- Volume: 1.0/2.0ml
- Battery Capacity: 300mAh
- Dimension: 18*87mm
- Charging: Type-c
- Housing: Metal

Main Technical Parameter

Oil volume	Max fill volume	2.0ml
Dimension	Ø18.0*87.0mm	
Weight	20.0±5.0g	
Charger	Type C	
Power	Standard power is: 8w/9W/10W/11W/12W Additional options available upon request for kind of oil	
Resistance	Standard: 1.0±0.1Ohm	
Activation	Inhale activate	
Viscosity Range	10,000-2,000,000 cps	
Components Materials	Mouthpiece	PCTG1501
	Body Base	SUS201
	Heating element	Iron Chromium Aluminum
	Wick	Ceramic
	Tank Material	PCTG1501
	Sealing	Silicone
	Battery Chassis	PC2456
Safety-Features	Short-Circuit Protection	The battery no-load voltage is lower, the output will be automatically prohibited, and the light flashes for 10 times. the load current is greater, the output will be automatically prohibited.
	Over-Usage Protection	A normal smoking time is 8 seconds,more than 8 seconds,the light flashing 4 times,stop output.
	Indefinite storage	Temperature: -5°C~+35°C Relative humidity: 45~75%RH In every 180 days battery should be charged and discharged cycle once with a standard method.
Charging indicator	·During Charging:The red light remains on. The light turns off when fully charged, and the green light flashes twice after unplugging the USB.	The RGP light displays the battery level. A red light indicates less than 40%, a blue light indicates between 40% and 70%, and a green light indicates over 70%.

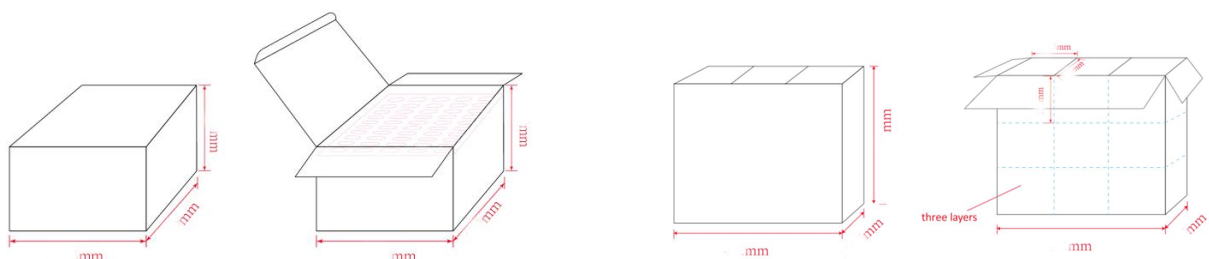
Filling Guide



1. Filling oil through the filling holes, **DO NOT** filling into the airway two side holes.
2. During the oil injection process, the device needs to be maintained vertically.
 - *Do not fill too fast but fill with constant speed.*
3. Cap within 30 secs to prevent too much air get into the tank.
 - *Please make sure the cap is complete sealed*
 - *Upside down for 1-2 hours will help reducing leaking rate a lot.*

Packing Method:

1. A neutral white box: upper and lower two layers, containing 50pcs each of the body and mouth piece
2. A carton box: contains 8 neutral white boxes, including the body and mouth piece 400pcs for each
 - *(Carton box size: 430*310*260 mm, gross weight: about 12.0kg)*



Storage

1. The storage temperature is $23 \pm 5^{\circ}\text{C}$ and the humidity is $50 \pm 10\%$ RH.
2. Place in a cool, dark and ventilated place.
3. Keep the disposable sealed storage and avoid direct sunlight.
4. The storage period should not be too long, so as not to exceed the shelf life of oil.

Notification

1. Pay attention to the shelf life of filled oil.
2. Handle the product with care. Do not throw, or twist the product.