



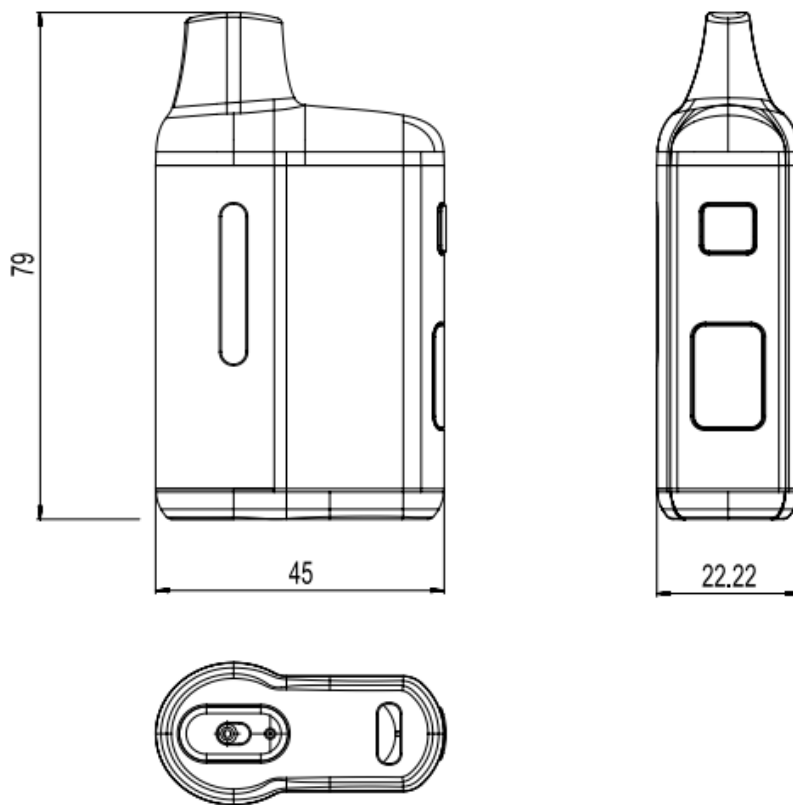
Dyno Box Vape

6.0ml

EmPower Your Oil & Brand to be the BEST.

Customized Device Settings for the BEST Oil Performance with Device Counterfeit Authentication.

Dimension (Picture and Description)



Dimension: 45 x 22.22 x 79mm

Appearance: There are no scratches, cracks, stains, uneven colors, unclear logos, and fades on the appearance of this product.

Features

- Button Activated
- Dual Center Post
- Dual Ceramic Heating Core
- 6ml Large Capacity
- Pure Flavor, Thick Clouds
- Easy-to-Read LED Screen
- Adjustable AirFlow
- Button Operation

5 clicks on the button to turn on/off the device

2 clicks to activate preheat mode

1 click to end preheat mode

- Short Circuit Protection

Short circuit protection is triggered when the device is enabled. LED screen stays on for 2 seconds.

- Timeout Protection

The device will stop working in case of exceeding 10 seconds. LED screen flashes battery percentage 6 times.

- Overload Protection

Overload protection is triggered when the current rises above a limit. LED screen stays on for 2 seconds.

- Over Current Protection

The device trips and breaks the circuit when an over current is detected. LED screen stays on for 2 seconds.

- Out of Power

LED screen flashes 10 times when the battery is too low, and there will be no response when the battery has completely run out.

- Overcharge Protection

During charging, the LED screen will display the battery percentage and the battery icon will keep flashing. When fully charged, overcharge protection will be triggered to cut off the charge current, and the battery percentage will light up for 5 seconds.

- Over-discharge Protection

To prevent device from over discharging by cutting off discharge current. LED screen stays on for 2 seconds. The device shuts down itself when the battery gets too low.

Main Technical Parameter

Item	Parameter
Dimensions	45 x 22.22 x 79mm
Volume	6.0ml
Coil Type	Ceramic
Mouthpiece Material	PC
Tank Type	PCTG
Center Post	SUS316L
Aperture Inlet	4 x Ø2.0mm for Each Center Post
Resistance	1.4Ω
Activation	Button Activated
Power On/ Off	5 Clicks on the Button
Preheat Mode	2 Clicks on the Button
Battery Capacity	650mAh
Battery Housing	Aluminum Alloy
Output Voltage	2.8V
Charging Voltage	3.3-4.2V
Storage Temperature	23±5°C
Humidity	50±10%RH
Charge Port	Type-C

How to Use

- To turn on/off the device, click on the button 5 times rapidly. The LED screen will stay on for 2 seconds to indicate on/off. Once it is on, it's ready for use.
- To activate the Preheat Mode, click on the button 2 times rapidly. Preheat mode will last for 15 seconds at the same time the LED screen will display a 15-second countdown. User can click one time on the button to end the preheat mode. After 15 seconds of preheating, the LED screen will flash the number 00 for 30 seconds to remind the user that the device is ready for use. User can click one time on the button to end the flashing.
- To adjust airflow, slide the switch to the right or left.

Filling Guide

1. Fill the tank with your cannabis oil.

Gently put the syringe between the airway and the outer wall of the oil tank and fill the tank with oil at a proper speed.

▲ *Do not allow oil to enter the center airway!*

▲ *Do not top off the tank with oil.*

▲ *While filling oil, avoid dropping oil onto the shell to prevent chemical reactions. If so, please wipe it off immediately.*

2. Press on the mouthpiece immediately after filling!

▲ *Failure to insert the mouthpiece immediately after filling may cause leakage.*

▲ *Cap the product with a hand punch or a professional capping machine.*

Storage

1. The storage temperature is $23 \pm 5^{\circ}\text{C}$ and the humidity is $50 \pm 10\%$ RH.
2. Place in a cool, dark and ventilated place.
3. Keep the disposable sealed storage and avoid direct sunlight.
4. The storage period should not be too long, so as not to exceed the shelf life of oil.

Notification

1. Pay attention to the shelf life of filled oil.
2. Handle the product with care. Do not throw, or twist the product.