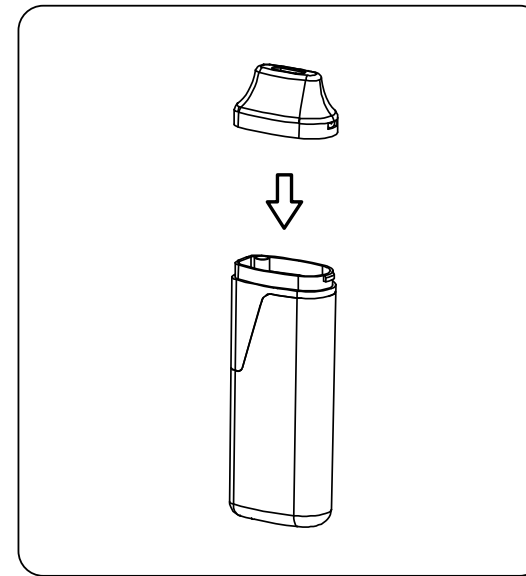
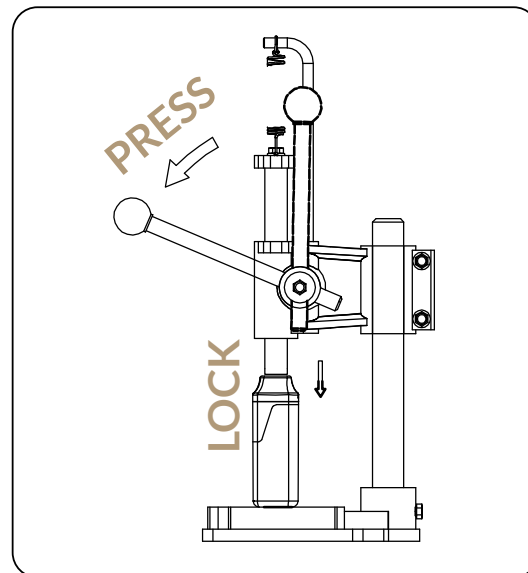


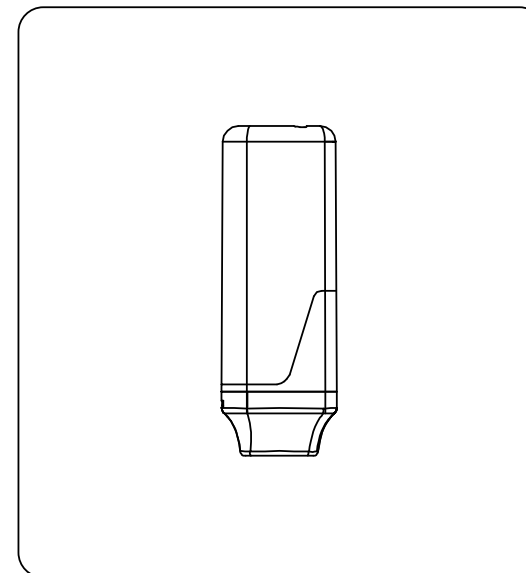
1 The syringe injects cigarette oil along the oil injection hole, control the amount of oil.



2 Immediately lock the cap on tightly, within 30 secs of filling.



3 Press the caps.



4 Place inverted to exhaust air pressure.